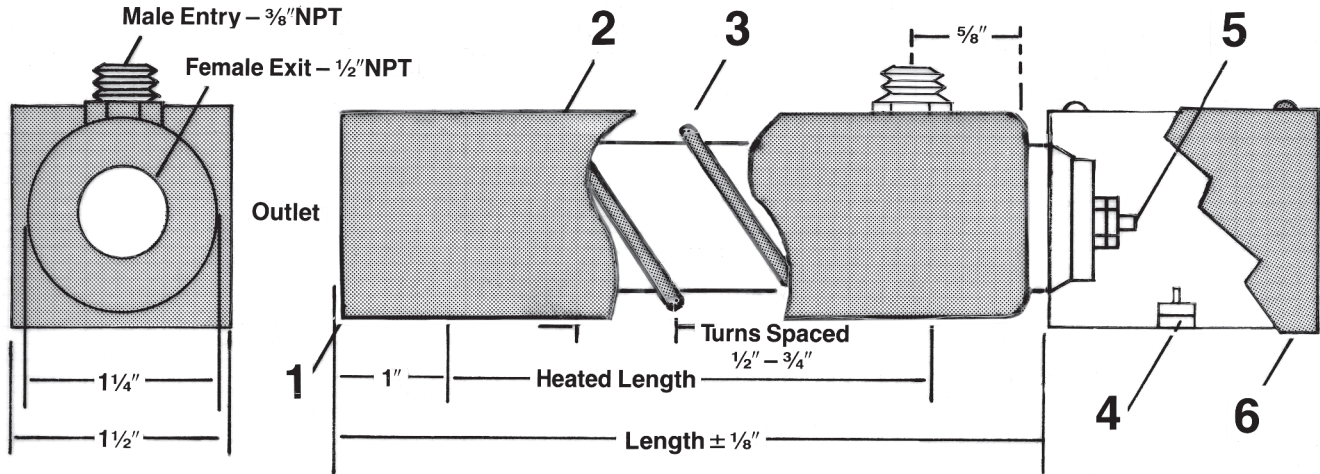




Cartridge Heaters

Special Immersion

Mini Circulation



IMMERSION

Features:

- The Miniature Circulation Heater is a packaged heater for heating small volumes of liquids as in photographic developer solutions, chemicals, dyes and inks.
- Constructed of 316 series stainless steel.
- Pressures to 100 psig.

Construction:

- 1 Heliarc weld.
- 2 Stainless steel sheath.
- 3 Liquid tubular wire.
- 4 Ground post.
- 5 Post terminals.
- 6 Connection box. 2 3/4" x 1 1/2" x 1 1/2".

Specifications

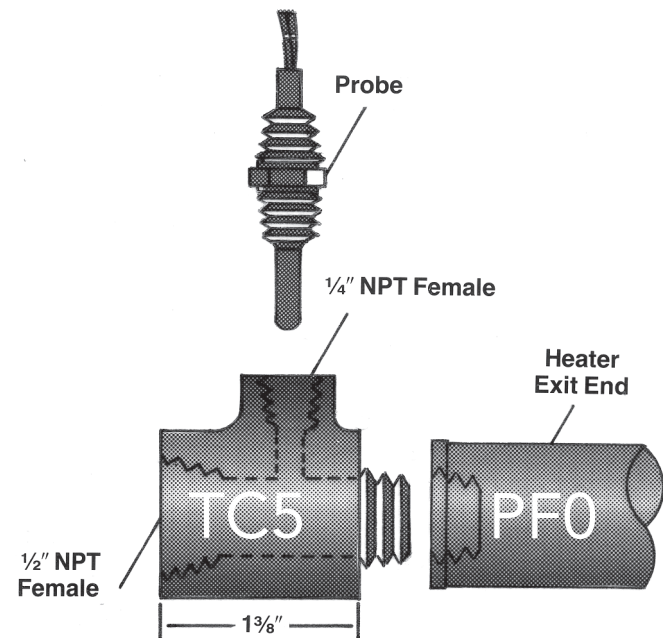
▼ Manufactured Items ▼			
Maximum Amperage: 20			
Cross Sectional Flow Area: 152 Sq. In.			
Sizes:			
Length	Heated Length	Catalog No.	Maximum Wattage
6"	4"	PFO-6	600
8"	6"	PFO-8	900
10"	8"	PFO-10	1200
12"	10"	PFO-12	1500
18"	16"	PFO-18	2400

Above wattages area based on 50 watts per square inch for use with water at low flow. Higher flow rates and/or different liquids will effect allowable watt densities. Consult factory.

Sizes between those listed and larger in diameter are available. Consult factory.

Temperature Control

Thermocouple mounting fitting as available for use with the standard miniature circulation heater. The fitting is threaded into the exit end as shown below. Specify TC-5 fitting. See pages 131-134 for details on temperature controllers and probes.



* Thermistor adapter and catalog number TH-1 must be used for thermistor probe mounting in the TC5 fitting.



Cartridge Heaters

Special Immersion

▼ IN STOCK ITEMS ▼

Pure Flow Air Heaters

Supplied with: Type SF3S terminals Type SF13A enclosure

IMMERSION

Length	Cat. No.	Dia.	Wattage	Voltage	Watts/ Linear Inch	Weight	Terminals
6"	PFO-6	1¼"	100	120	23	1.00	S&N w/enclosure
6"	PFO-6	1¼"	400	120	91	1.00	S&N w/enclosure
6"	PFO-6	1¼"	400	240	91	1.00	S&N w/enclosure
8"	PFO-8	1¼"	150	120	23	1.18	S&N w/enclosure
8"	PFO-8	1¼"	600	120	94	1.18	S&N w/enclosure
8"	PFO-8	1¼"	600	240	94	1.18	S&N w/enclosure
10"	PFO-10	1¼"	250	120	30	1.37	S&N w/enclosure
10"	PFO-10	1¼"	1000	120	120	1.37	S&N w/enclosure
10"	PFO-10	1¼"	1000	240	120	1.37	S&N w/enclosure
12"	PFO-12	1¼"	300	120	29	1.55	S&N w/enclosure
12"	PFO-12	1¼"	1200	120	115	1.55	S&N w/enclosure
12"	PFO-12	1¼"	1200	240	115	1.55	S&N w/enclosure

← LENGTH →

